

24" Under-Cabinet Hood



- 250 CFM Blower
- 5 1/2" Height
- 2-Speed Rocker Switch Controls
- Dual Level LED Lighting
- 2 Aluminum Mesh Filters



COLOR AVAILABILITY

- HUEZ2413S – Stainless Steel

FEATURES

Controls	2-Speed Rocker Switch
Auto Delay-Off	
Lighting	Dual Level LED
Dual-Level Lighting	Yes
Filters	2 Aluminum Mesh
Wi-Fi Capabilities	No
RoHS Compliant	

BLOWER & DUCTING

Speed Levels	2
CFM (min-max)	100 – 250
Sones (min-max)	1.8 – 8.5
Vertical Internal Blower	
Venting Options	Roof, Wall

SMART FEATURES

Wi-Fi Enabled	No
ThinQ® Technology	No

APPEARANCE / MATERIALS / FINISHES

Fingerprint & Smudge Resistant Exterior	
Low Profile Body	Yes

TECHNICAL SPECS

Required Power Supply	120V, 60Hz
Connected Load	Max. 240W @ 2.0A
Minimum Circuit Rating	15 or 20 Amp
Power / Plug Type	3-Wire Cable Required

INCLUDED ACCESSORIES

- 2 Aluminum Mesh Filters

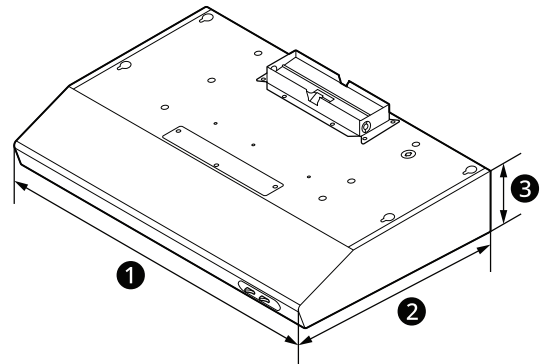
DIMENSIONS / CLEARANCES / WEIGHT

Product Dimensions (W x H x D)	23 7/8" x 5 1/2" x 20 3/16"
Minimum Distance from Cooking Surface	26" – 32"
Carton Dimensions (W x H x D)	28 15/16" x 24 3/16" x 9 1/16"
Approx. Weight (Product / Carton)	15.4 lbs. / 20.1 lbs.

LIMITED WARRANTY

Parts and Labor	1 Year
-----------------	--------

DIMENSIONS / CLEARANCES



DIMENSIONS / CLEARANCES

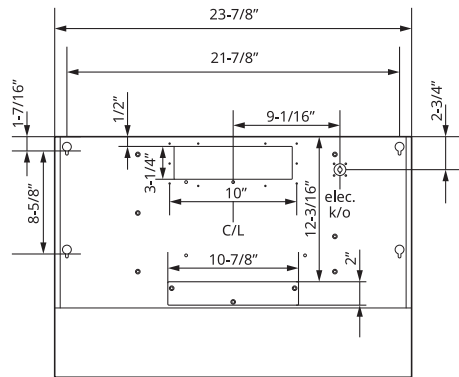
1	Width	23 7/8" (606.4 mm)
2	Depth	20 3/16" (512.8 mm)
3	Height (without ducting)	5 1/2" (139.7 mm)

DIMENSIONS / CLEARANCES

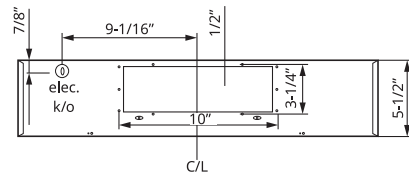
Tolerances: +1/16", -0 (1.6 mm, -0), unless otherwise stated.

NOTE: The exhaust duct and the electrical wiring can be connected from either the top or the back of the hood.

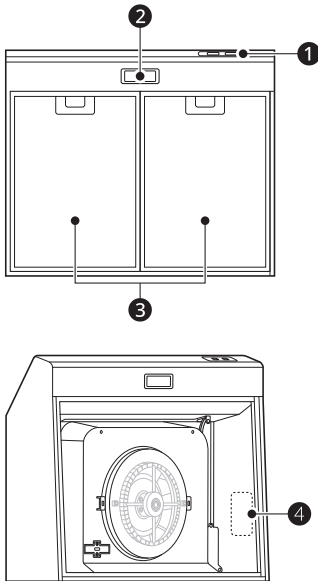
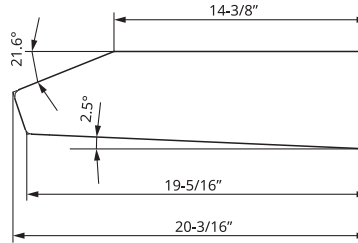
Top



Back

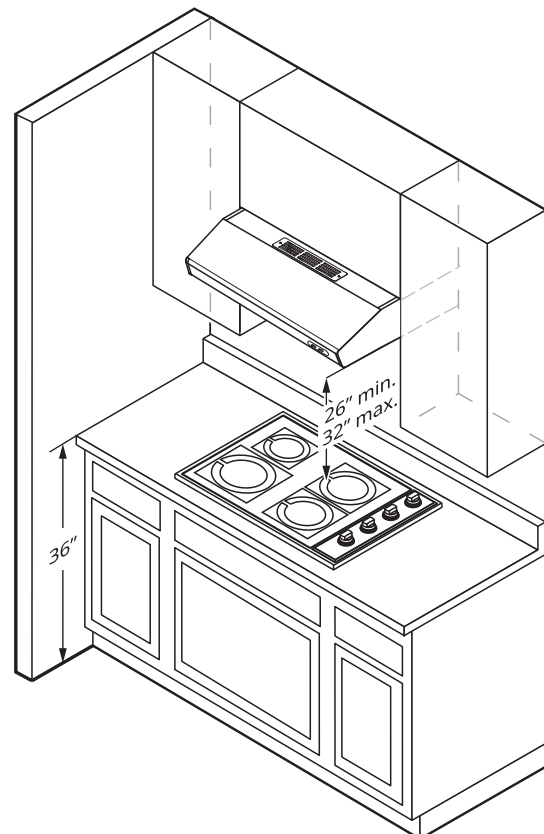


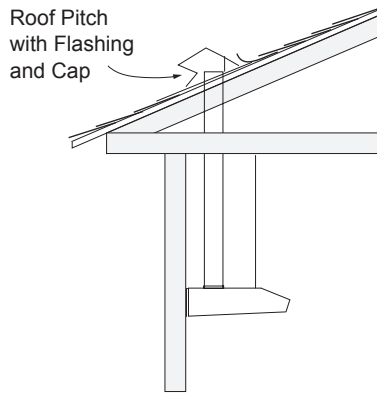
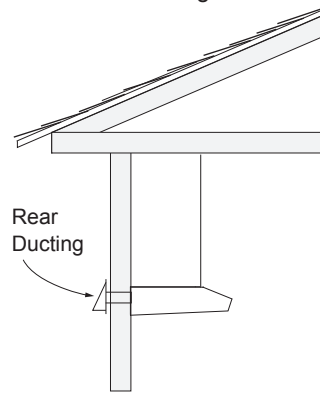
Side



- 1 Control Panel
- 2 LED
- 3 Mesh Filter
- 4 Rating Label, Model and Serial Number Plate

INSTALLATION CLEARANCES



DUCTING OPTIONS**3 1/4" x 10" Vertical Ducting****3 1/4" x 10" Horizontal Ducting****INSTALLATION NOTES**

- A minimum 3-1/4" x 10" rectangular duct for either vertical ducting or horizontal ducting must be used to maintain maximum air flow efficiency.
- Always use rigid metal ducts only. Flexible ducts could restrict air flow by up to 50%.
- ALWAYS, when possible, reduce the number of transitions and turns. If long duct run is required, increase duct size from 6" to 7" or 8".
- If turns or transitions are required, install as far away from hood duct output and as far apart as possible.
- Minimum mount height between range top to hood bottom should be no less than 26".
- Maximum mount height should be no higher than 32" (81 cm) above the range top.
- It is important to install the hood at the proper mounting height. Mounting the hood too low could result in heat damage and fire hazard. Mounting the hood too high will make it hard to reach and reduce its performance and efficiency.
- If available, also refer to the range manufacturer's height clearance requirements and recommended hood mounting height above range.

WARNING Fire Hazard

- ⚠ • NEVER exhaust air or terminate duct work into spaces between walls, crawl spaces, ceiling, attics or garages.
- All exhaust must be ducted to the outside.
- Use metal ductwork only.
- Fasten all connections with sheet metal screws and tape all joints with certified silver tape or duct tape.